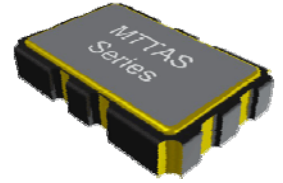


MTTAS Series – 5 X 3.2 Ceramic SMD VCTCXO



- Low Profile SMD Device
- Hermetically Sealed
- Tight Stability Over Temperature
- Low Power Consumption



Frequency Range	8.000MHZ to 32.768MHZ	
Frequency Stability vs Temperature *	(See Frequency Stability vs Temperature Table)	
Operating Temperature Range	(See Frequency Stability vs Temperature Table)	
Storage Temperature Range	-40°C to +85°C	
Supply Voltage	+2.50VDC	+3.30VDC
Supply Current	2mA max	
Output Type	Clipped Sinewave	
Output Level	0.8 Vp-p min	
Output Load	10k Ohms // 10pF	
Control Voltage	1.25 ± 1.00VDC	1.5VDC ±1.0VDC
Frequency Tuning Range	±6.0ppm	±8.0ppm
Slope	Positive	
* Inclusive of Temperature., Load, Voltage and Aging		

Environmental & Mechanical Detail

Shock	MIL-STD-883, Method 2002, Condition B
Solderability	MIL-STD-883, Method 2003
Solvent Resistance	MIL-STD-883, Method 215
Vibration	MIL-STD-883, Method 2007, Condition A
Gross Leak Test	MIL-STD-883, Method 1014, Condition C
Fine Leak Test	MIL-STD-883, Method 1014, Condition A-2

Phase Noise



Marking Detail

Line 1 = MXXXXX		
M	=	MMD
XXXXX	=	Frequency in MHZ
Line 2 = SYWWL		
S	=	Internal Code
YYWW	=	4 Digit Date Code (Year / Week)
L	=	Denotes RoHS Compliant
Line 3 = XXXXX		
Internal use only		
May vary with lots		
Black dot to denote Pin 1		

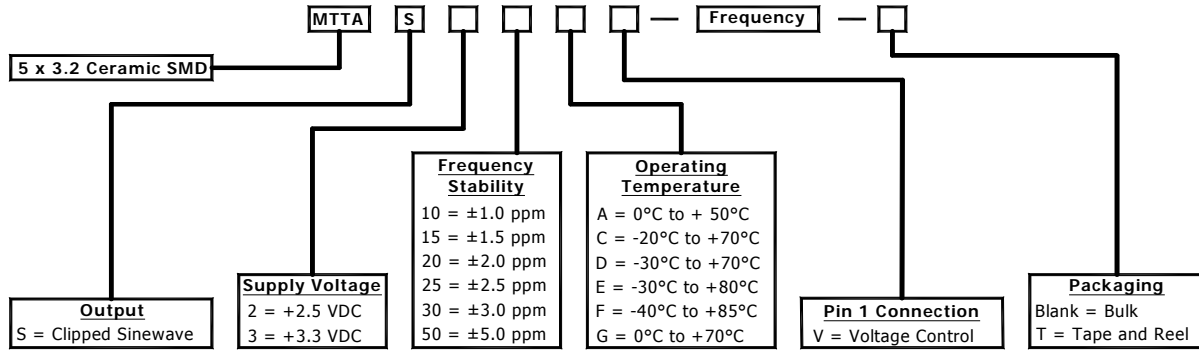


MMD Monitor/Quartztek
 30400 Esperanza, Rancho Santa Margarita, CA, 92688
 Phone: (949) 709-5075, Fax: (949) 709-3536, www.mmdcomp.com
 Sales@mmdcomp.com



Revision:	03/18/11 H
-----------	------------

Part Number Guide



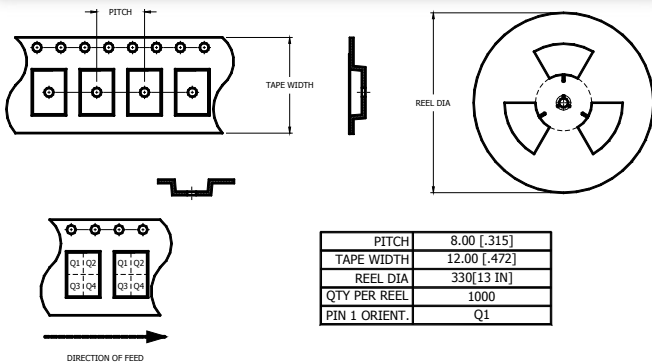
Please Consult with MMD Sales Department for any other Parameters or Options

Frequency Stability vs Temperature Table

Code	Stability	10	15	20	25	30	50
	Temp	±1.0ppm	±1.5ppm	±2.0ppm	±2.5ppm	±3.0ppm	±5.0ppm
A	0°C TO +50°C	•	•	•	•	•	•
G	0°C TO +70°C		•	•	•	•	•
C	-20°C TO +70°C			•	•	•	•
D	-30°C TO +70°C			•	•	•	•
E	-30°C TO +80°C			•	•	•	•
F	-40°C TO +85°C			•	•	•	•

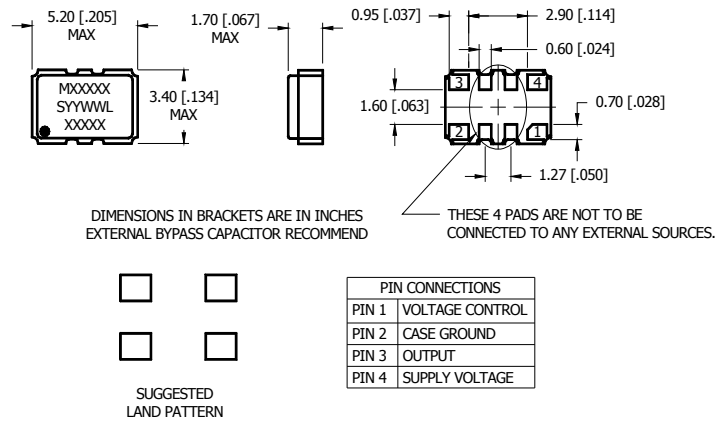
• = Available = Consult with MMD

Tape & Reel Dimensions



NOTES: UNLESS OTHERWISE SPECIFIED
 1. Applicable Standards / Specifications
 ANSI Y14.5M, Dimensions and Tolerances
 EIA-481-B, 8 mm through 200mm Embossed Carrier Taping and 8 mm and 12 mm
 Punched Carrier Taping of Surface Mount Components for Automatic Handling.
 2. Dimensions are in millimeters.
 3. Tolerances are ±0.10 [.004] mm unless otherwise specified.
 4. Do not scale drawing.

Mechanical Details



MMD Monitor/Quartztek
 30400 Esperanza, Rancho Santa Margarita, CA, 92688
 Phone: (949) 709-5075, Fax: (949) 709-3536, www.mmdcomp.com
 Sales@mmdcomp.com



Revision: 03/18/11 H